

Helping keep spills off the ground
and protecting our environment
since 1992



www.pollutioncontrolcorp.com

Toll Free: 800-966-1265

*The Newly Designed
Original Trapper*

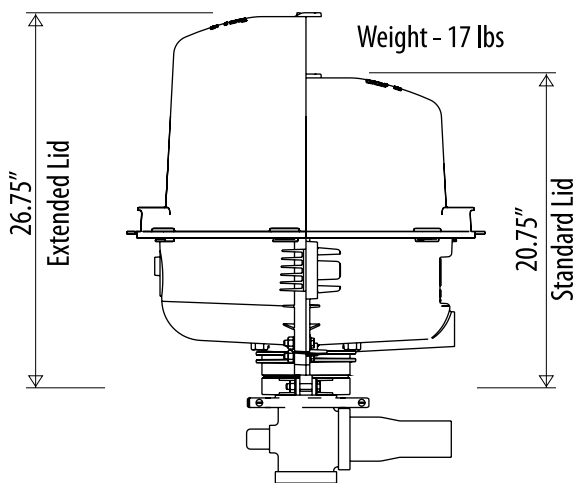
NEW DESIGN



The Original Trapper surrounds the stuffing box



The Original Trapper with an extended lid accommodates a polish rod lubricator



Original Trapper measured from the production tee



The Original Trapper has the new quick buckle design

This is the new Original Trapper, a radical new design of the PCC stuffing box leak containment system.

The Original Trapper fits all common polish rod and polish rod liner sizes and will contain Huber Hercules, Skinner Brothers and Larkin stuffing boxes. The Skinner Crosstwin must utilize the Trapper Topper.

The new lid is clear to allow for easy visual inspection of the stuffing box. The base of the lid extends over the tub to prevent rainwater from entering the Trapper. Felt liners in the top of the lid help to prevent produced fluids from leaking.



The Original Trapper configured with the trapper container

The Newly Designed
Trapper Topper

NEW DESIGN



The Trapper Topper extends 15" above the stuffing box

The Trapper Topper bolts to the top of the stuffing box

The Trapper Topper is designed to fit the Huber Hercules, Skinner, Skinner Crosstwin and Ratigan stuffing boxes. Lubricators can be mounted inside the Trapper Toppers.



The Trapper Topper installed with a float switch and drain valve

POC TRAPPER CONTAINER



The Trapper Container with hose barb and optional float switch. The container has a 40 gallon capacity.

The Original Trapper and the Trapper Topper can be configured two ways. Both units can be connected by hose to the Trapper Container which can be fitted with a float switch or they can have a float switch and drain valve installed right in the base of the Original Trapper or the Trapper Topper.



For Canadian Inquiries Contact:



**WESTERN
OILFIELD
SPECIALTIES CORP.**

Western Oilfield Specialties Corp.
www.westernoilfieldspecialties.com

Phone: (780) 437-7733
Toll Free: 1-877-437-7733